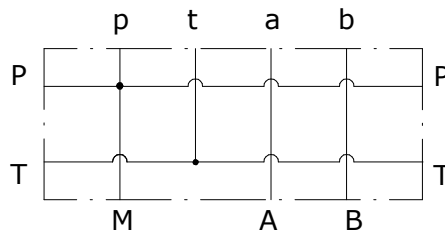
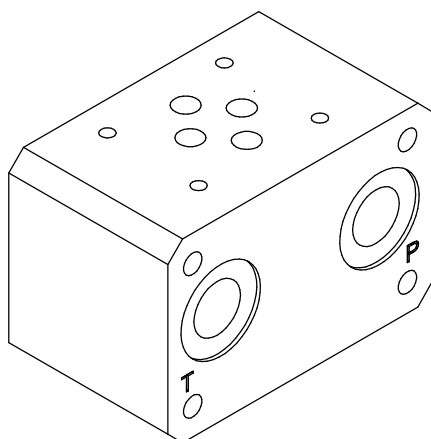


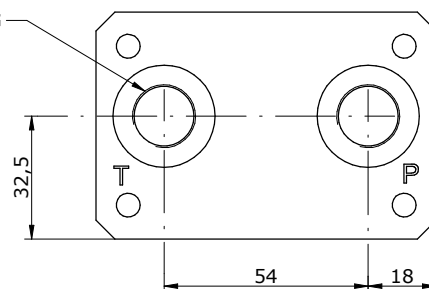
**BASE MODULARE CETOP 3 CON COLLEGAMENTO PARALLELO A-B 3/8" BSP
POSTERIORI
CETOP 3 MODULAR PLATE WITH A-B REAR PORTS 3/8" BSP FOR PARALLEL
CIRCUIT**

**OLEODINAMICA
2mp**

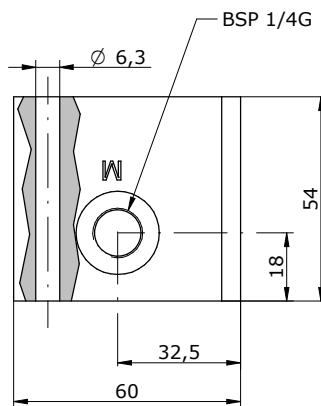
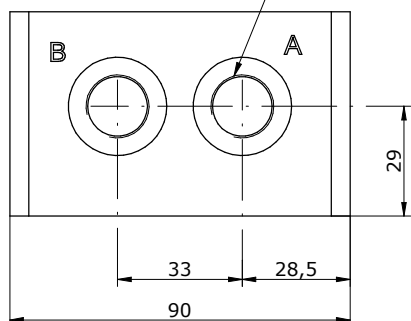
Schema idraulico
Hydraulic diagram



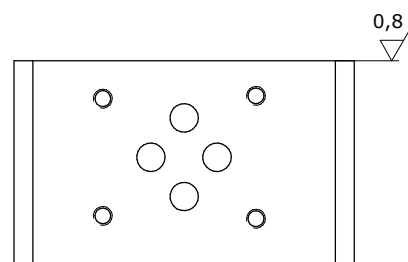
n°2 BSP 3/8G
OR-2093



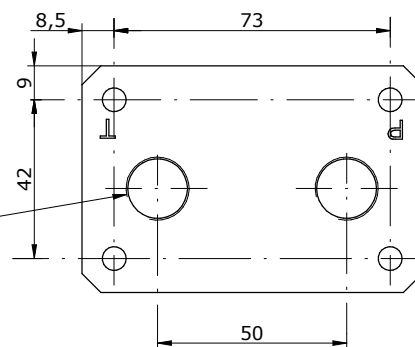
n°2 BSP 3/8G



BSP 1/4G



n°2 3/8G



E_ 610 - 09 - 38

**S = STEEL
A = ALUMINIUM**